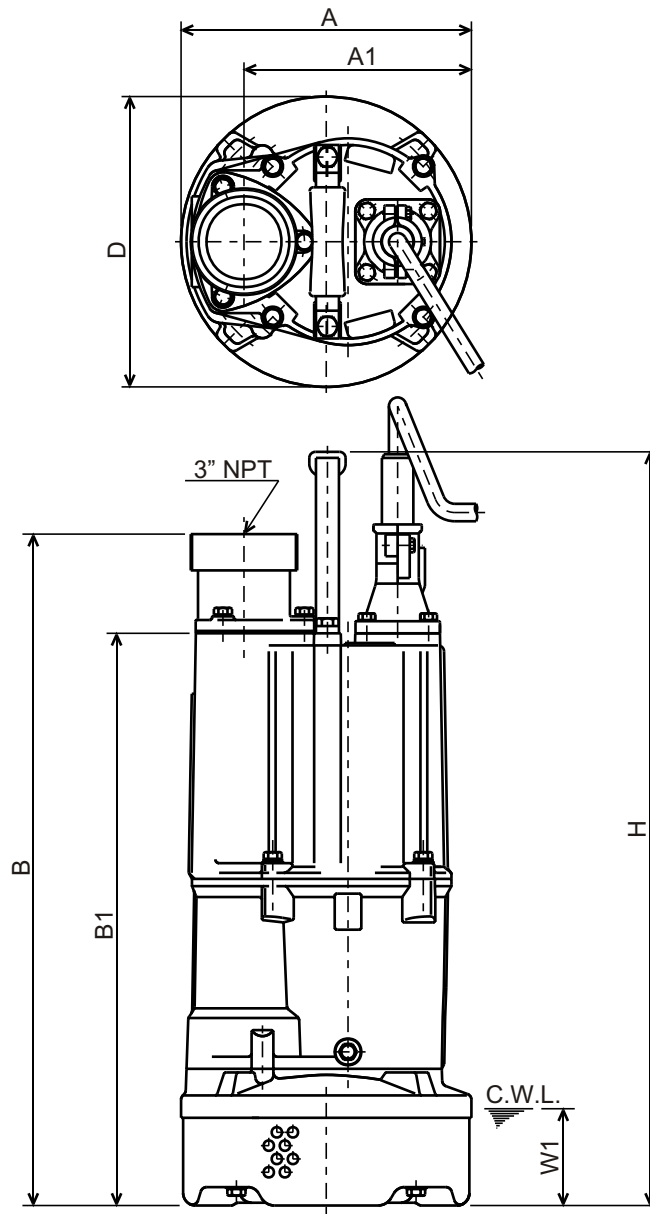




**NK - SERIES**  
**SEMI-VORTEX - DEWATERING PUMPS**

**DIMENSIONS**

**NK2-15**  
**NK2-22**



C.W.L. : Continuous running Water Level

**DIMENSIONS:USCS (Inch)**

Model	HP	NOM. SIZE	Pump & Motor						C.W.L.	Wt. (lbs.)
			A	A1	B	B1	D	H	W1	
NK2-15	2	3"	9 7/16	7 3/8	21 7/8	18 5/8	9 7/16	24 1/2	3 1/4	63.5
NK2-22	3	3"	9 7/16	7 3/8	21 7/8	18 5/8	9 7/16	24 1/2	3 1/4	64

**DIMENSIONS:METRIC (mm)**

Model	kW	NOM. SIZE	Pump & Motor						C.W.L.	Wt. (kg)
			A	A1	B	B1	D	H	W1	
NK2-15	1.5	80	240	188	555	473	240	623	80	28.8
NK2-22	2.2	80	240	188	555	473	240	623	80	29.0